

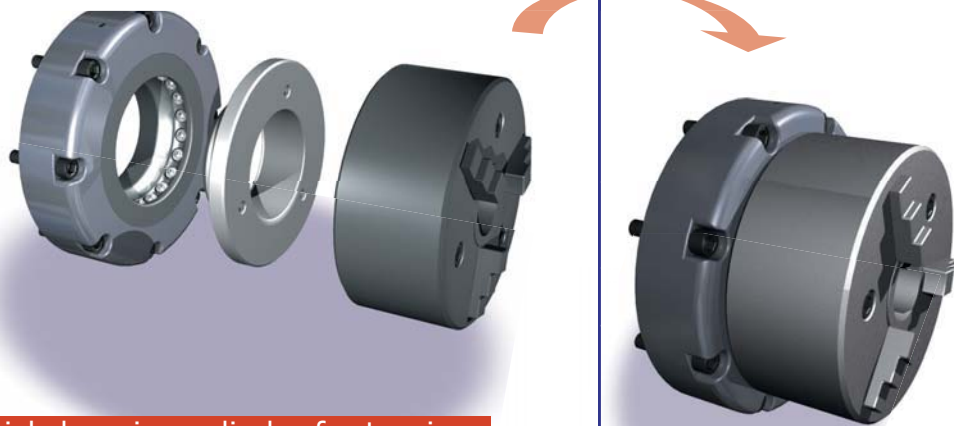
## Zeropoint Quickchanging cylinder for turning machine

### Zeropoint Quickchanging cylinder for turning machine with passage for spindle nose ...

- Quick changing of chuck, tongs and special equipment
- High-precision of radial positioning or arresting
- Media ducts against chuck lubrication, hydraulic clamping and exact points for cooling and cleaning.
- Cleaning function
- Great holding force and form fit
- Release control
- Safety system in case of interference, thus low risk of damage of the machine

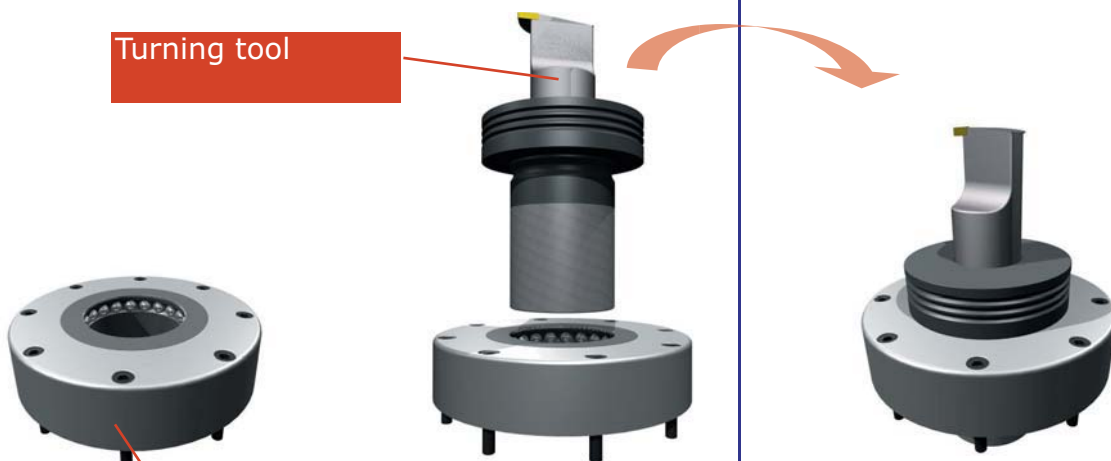
Stainless

**NEW!**  
Only by  
**Zero-Point-Systems**



Zeropoint Quickchanging cylinder for turning machine

Turning tool



Zeropoint Quickclamping cylinder